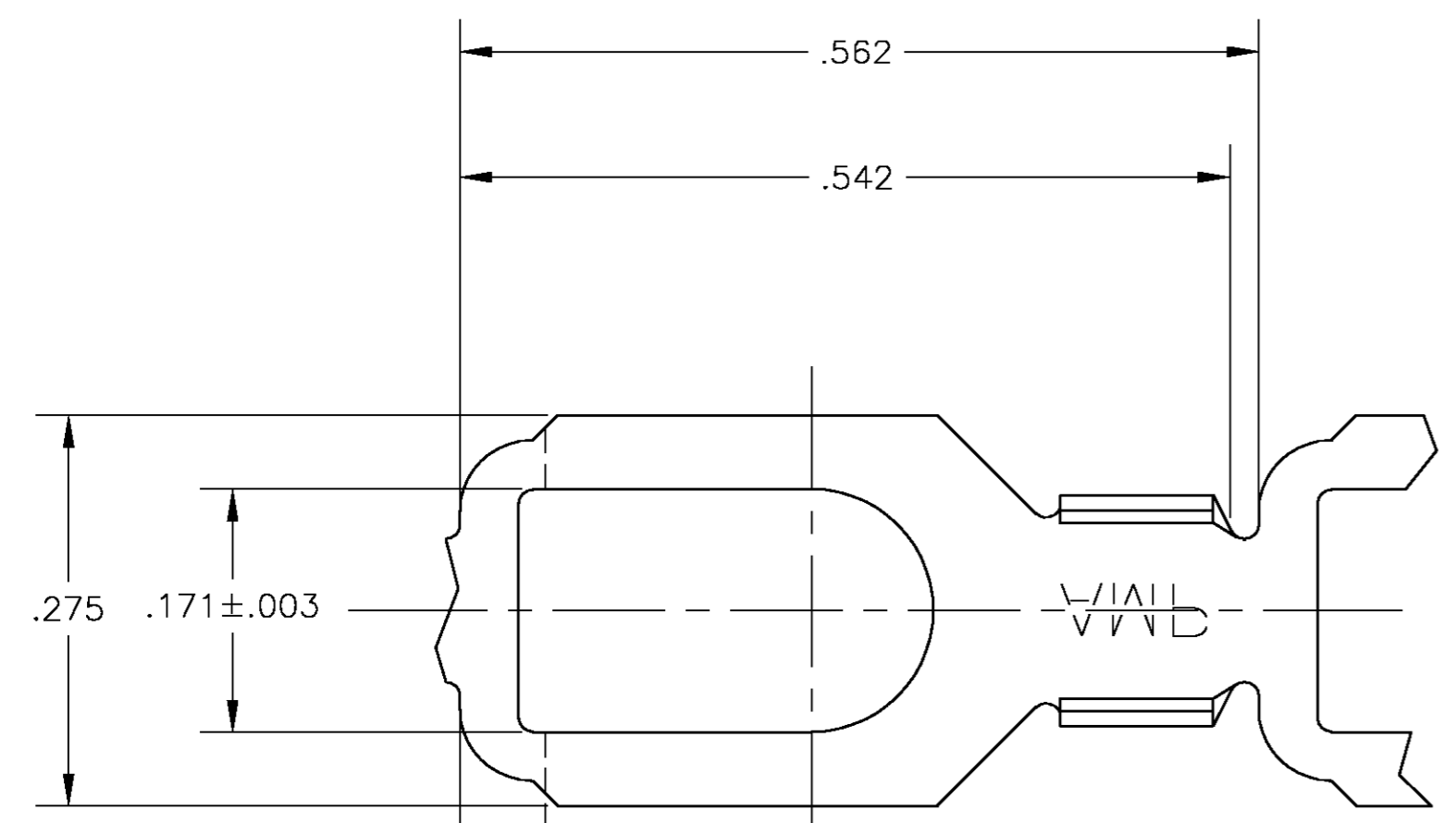


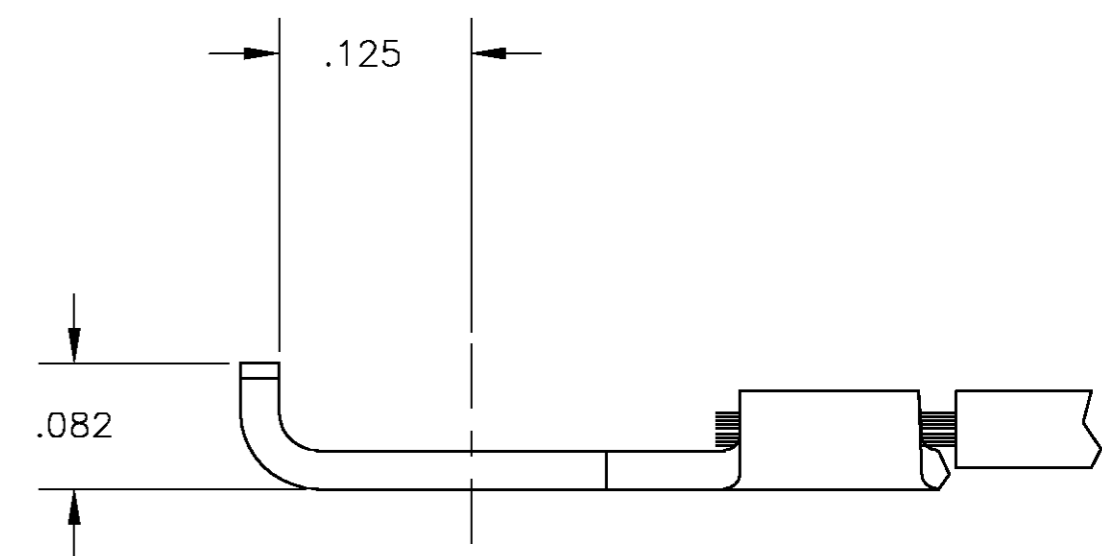
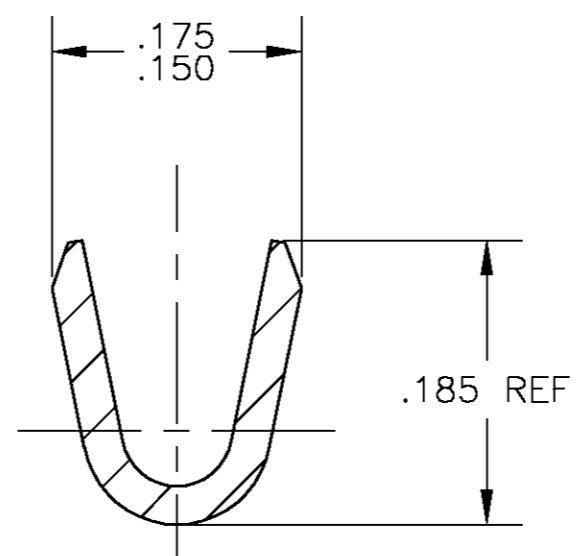
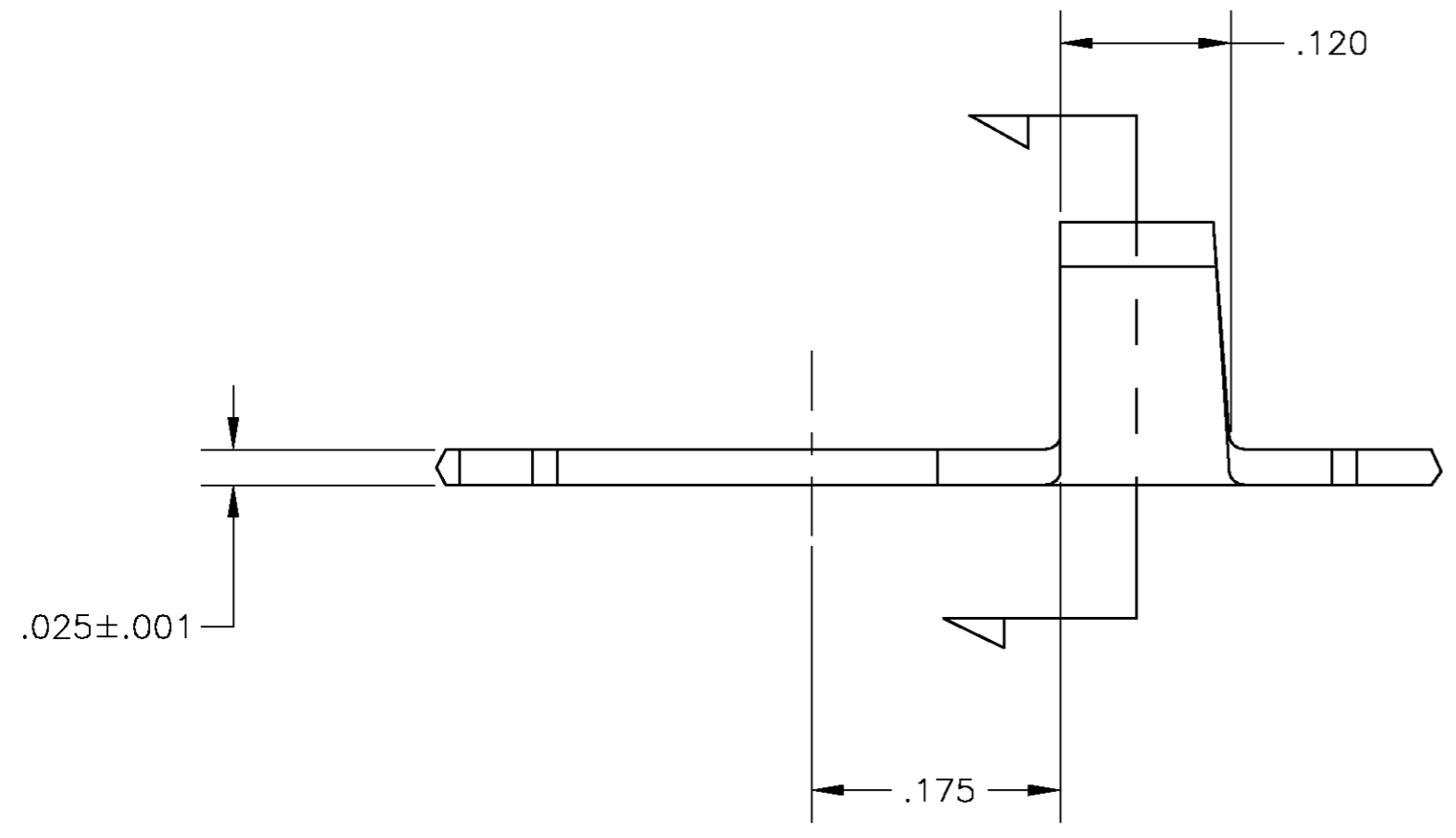
THIS DRAWING IS UNPUBLISHED. RELEASED FOR PUBLICATION
 © COPYRIGHT BY TYCO ELECTRONICS CORPORATION. ALL RIGHTS RESERVED.

LOC		DIST		REVISIONS			
P	LTR	DESCRIPTION		DATE	DWN	APVD	
AF	50	H		REV & REDRWAN PER 0G3A-0200-02	02APR03	MF DD	

- 1 FOR NEW APPLICATIONS SEE PREFERRED MODERNIZED DESIGN 42320 GROUP AND 42321 GROUP.
- 2 SUFFIX LETTER MUST BE USED ONLY WHEN ORDERING APPLICATOR TOOLING.
- 3 CONTINUOUS STRIP ON REELS.



.060
APPLICATOR
CUT-OFF



-	-	-
40705 A	18-14 AWG	40705
2 FLANGED PART NUMBER	WIRE RANGE	PART NUMBER

THIS DRAWING IS A CONTROLLED DOCUMENT.		DWN MICHAEL S. FEHER 02APR2003	Tyco Electronics Corporation Harrisburg, PA 17105-3608	
DIMENSIONS: INCHES		CHK DONALD F. DECKER 02APR2003	Tyco Electronics	
TOLERANCES UNLESS OTHERWISE SPECIFIED:		APVD DONALD F. DECKER 02APR2003	NAME #8 STUD, TERMINAL, SPADE	
0 PLC ± -		PRODUCT SPEC	SIZE A2	
1 PLC ± -		APPLICATION SPEC	CAGE CODE 00779	DRAWING NO C=40705
2 PLC ± -		WEIGHT	RESTRICTED TO	
3 PLC ± .010			SCALE 8:1	SHEET 1 OF 1
4 PLC ± -			REV H	
ANGLES ± 1°				
FINISH				
MATERIAL 082 BRASS				
CUSTOMER DRAWING				